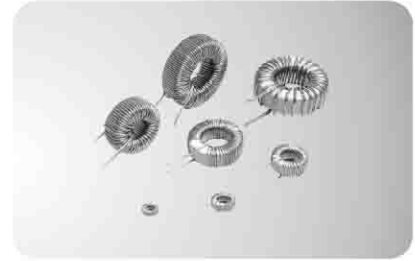


● FEATURES (特性)

High Saturation Material, Wide Inductance Range
 High Current Capability, Low DC resistance.
 高飽和材料，感量寬，大電流，小電阻。

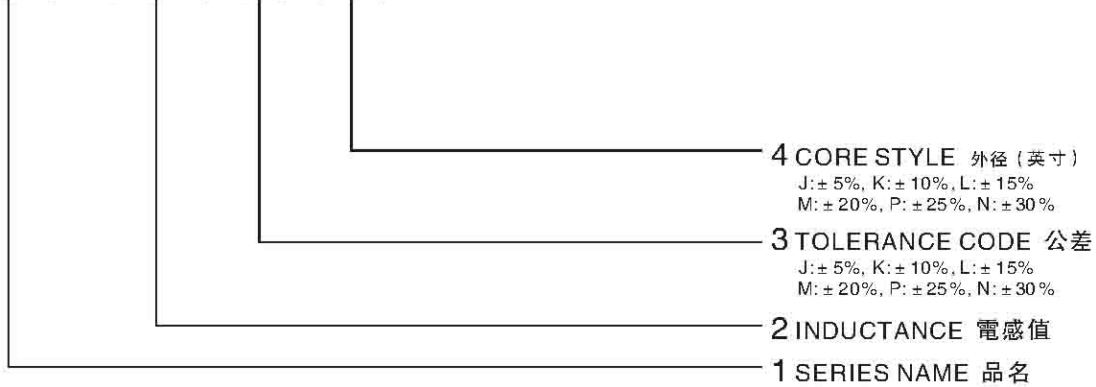
● APPLICATIONS (用途)

Switching Regulators Automotive Systems Power
 Amplifiers Power Supplies SCR and Triac Controls
 Speaker Crossover Networks EM/RFI Suppression.
 用于電動開關系統，電源和EM/RFI抗干擾系統。



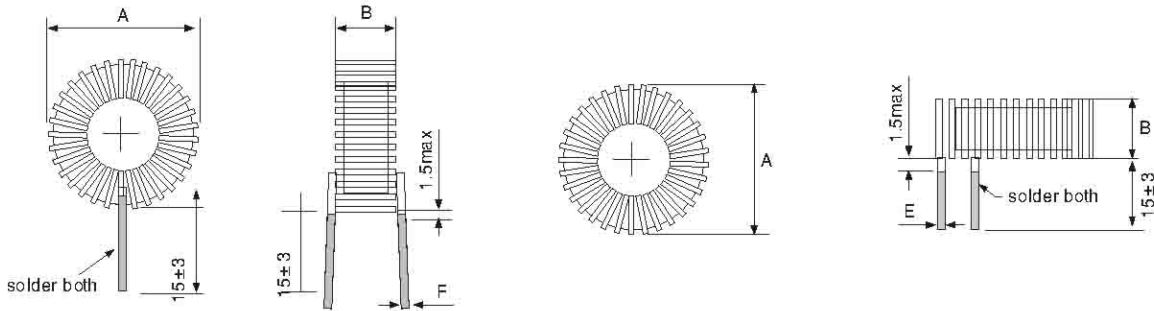
● PART NUMBERING SYSTEM (品名系統)

CKTC - 100 M - 44



● SHAPES AND DIMENSIONS (形狀及尺寸)

UNIT:mm



Core: Iron Powder Material Toroids

Wire: 130°C or 155°C UEW-NY Wire

● GENERAL CONDITIONS (一般條件)

UNIT:mm

- 1、Operating temperature: -55°C~+55°C
- 2、Storage temperature: -40°C~+40°C
- 3、Inductance rang: 1 μ H-10000 μ H

△ Special inquiries besides the above common used types can be met on your requirement.
 超出以上規格的特殊要求也可滿足

SPECIFICATION TABLE:

PART NUMBER 品名	INDUCTANCE (μ H) 1KHz/0A 電感值	IDC(max) (A) 額定電流	DCR(max) (Ω) 直流電阻	DIMENSION(mm) (尺寸)		WEIGHT (g/pcs) 重量
				A	B	
CKTC-5R0M-20	5.00	0.50	0.007	7.50	4.50	0.40
CKTC-9R0M-20	9.00	0.30	0.011	8.00	4.50	0.20
CKTC-150M-20	15.00	0.50	0.070	7.50	4.50	0.40
CKTC-200M-20	20.00	0.20	0.198	7.50	4.00	0.20
CKTC-270M-20	27.00	0.10	0.033	7.50	4.00	0.20
CKTC-270M-20	27.00	0.30	0.031	8.00	4.50	0.20
CKTC-100M-30	10.00	2.00	0.017	12.00	7.00	1.60
CKTC-120M-30	12.00	1.00	0.040	10.50	6.00	1.20
CKTC-320M-30	32.00	1.00	0.065	12.00	7.00	1.40
CKTC-370M-30	37.00	0.50	0.134	10.00	5.50	1.00
CKTC-141M-30	140.00	0.50	0.265	10.00	6.00	1.20
CKTC-8R2M-37	8.20	2.00	0.017	14.50	7.00	2.00
CKTC-220M-37	22.00	2.00	0.030	14.50	7.50	2.40
CKTC-240M-37	24.00	1.00	0.055	13.50	6.00	1.60
CKTC-560M-37	56.00	0.50	0.181	12.50	5.50	1.40
CKTC-680M-37	68.00	1.00	0.095	13.50	6.50	2.00
CKTC-241M-37	24.00	0.50	0.360	13.00	6.50	1.60
CKTC-150M-44	15.00	2.00	0.023	15.50	7.50	2.80
CKTC-430M-44	43.00	1.00	0.074	14.50	7.00	2.60
CKTC-680M-44	68.00	2.00	0.056	15.50	9.00	3.80
CKTC-111M-44	110.00	0.50	0.250	14.00	6.50	2.40
CKTC-141M-44	140.00	1.00	0.140	15.00	7.50	3.20
CKTC-361M-44	360.00	0.50	0.1460	14.50	7.50	2.80
CKTC-200M-50	20.00	3.00	0.021	17.50	9.00	4.40
CKTC-300M-50	30.00	2.00	0.035	17.00	8.50	4.00
CKTC-600M-50	60.00	3.00	0.038	18.00	10.0	5.80
CKTC-680M-50	68.00	1.00	0.101	16.00	7.50	3.60
CKTC-101M-50	100.00	2.00	0.081	17.00	9.00	5.20
CKTC-221M-50	220.00	1.00	0.190	16.50	8.00	4.40
CKTC-220M-60	22.00	5.00	0.014	21.50	11.50	8.00
CKTC-290M-60	29.00	4.00	0.020	21.00	11.00	7.80
CKTC-350M-60	35.00	3.00	0.026	20.50	10.50	7.60
CKTC-580M-60	58.00	2.00	0.061	20.00	10.00	7.20
CKTC-900M-60	90.00	3.00	0.044	20.50	12.50	9.20
CKTC-111M-60	110.00	2.00	0.069	19.50	10.00	8.00
CKTC-131M-60	130.00	1.00	0.146	19.00	9.00	6.40
CKTC-471M-60	470.00	1.00	0.286	21.00	11.00	7.60
CKTC-250M-60	25.00	5.00	0.016	24.00	10.50	9.20
CKTC-320M-68	32.00	4.00	0.021	23.50	10.00	9.00
CKTC-430M-68	43.00	3.00	0.030	23.00	9.50	8.80
CKTC-650M-68	65.00	2.00	0.055	22.00	9.00	8.20
CKTC-111M-68	110.00	4.00	0.042	23.50	11.00	11.40
CKTC-131M-68	130.00	3.00	0.055	23.00	10.50	11.40
CKTC-151M-68	150.00	1.00	0.159	21.50	7.50	7.60

△ Special inquiries besides the above common used types can be met on your requirement.
超出以上規格的特殊要求也可滿足



SPECIFICATION TABLE:

PART NUMBER 品名	INDUCTANCE (μ H) 1KHz/0A 電感值	IDC(max) (A) 額定電流	DCR(max) (Ω) 直流電阻	DIMENSION(mm) (尺寸)		WEIGHT (g/pcs) 重量
				A	B	
CKTC-231M-68	230.00	2.00	0.108	22.50	9.500	9.800
CKTC-500M-80	50.00	5.00	0.022	26.50	12.00	14.20
CKTC-600M-80	60.00	4.00	0.030	26.50	11.50	13.70
CKTC-750M-80	75.00	3.00	0.039	25.50	11.00	13.00
CKTC-820M-80	82.00	3.00	0.042	24.50	10.50	13.00
CKTC-101M-80	100.00	5.00	0.033	26.50	12.50	6.80
CKTC-151M-80	150.00	5.00	0.042	27.00	13.50	18.00
CKTC-221M-80	220.00	4.00	0.059	26.50	13.00	17.90
CKTC-271M-80	270.00	3.00	0.081	26.00	12.00	16.60
CKTC-321M-80	320.00	2.00	0.131	25.00	10.50	14.00
CKTC-431M-80	430.00	2.00	0.150	25.00	11.00	15.00
CKTC-961M-80	960.00	1.00	0.438	25.00	11.00	13.00
CKTC-900M-90	90.00	5.00	0.034	29.50	15.50	23.60
CKTC-141M-90	140.00	3.00	0.064	28.00	14.50	22.00
CKTC-201M-90	200.00	2.00	0.114	28.00	14.00	20.80
CKTC-321M-90	320.00	5.00	0.068	29.50	17.00	29.60
CKTC-451M-90	450.00	2.00	0.174	28.00	14.00	23.00
CKTC-471M-90	470.00	1.00	0.354	26.50	13.00	19.50
CKTC-471M-90	470.00	3.00	0.188	28.50	15.50	27.00
CKTC-182M-90	1800.00	1.00	0.680	27.50	14.00	22.40
CKTC-820M-94	82.00	5.00	0.033	31.00	15.50	22.40
CKTC-101M-94	100.00	4.00	0.042	29.50	13.50	21.90
CKTC-131M-94	130.00	3.00	0.061	29.00	13.00	21.60
CKTC-221M-94	220.00	2.00	0.121	28.50	12.00	20.60
CKTC-301M-94	300.00	5.00	0.064	30.00	15.50	28.80
CKTC-391M-94	390.00	4.00	0.088	29.50	15.00	27.20
CKTC-471M-94	470.00	1.00	0.342	27.50	11.50	19.00
CKTC-501M-94	500.00	3.00	0.124	29.00	14.00	26.00
CKTC-781M-94	780.00	2.00	0.225	28.50	13.50	24.10
CKTC-132M-94	1300.00	1.00	0.585	28.50	12.50	21.20
CKTC-300M-106	30.00	10.0	0.009	36.00	19.50	42.00
CKTC-350M-106	35.00	10.0	0.010	36.00	19.50	43.00
CKTC-560M-106	56.00	7.00	0.020	34.00	18.00	40.00
CKTC-680M-106	68.00	7.00	0.021	34.00	18.00	40.00
CKTC-820M-106	82.00	7.00	0.023	34.00	18.00	41.00
CKTC-101M-106	100.00	5.00	0.036	33.50	17.00	39.00
CKTC-151M-106	150.00	4.00	0.053	32.50	16.50	38.40
CKTC-201M-106	200.00	3.00	0.078	32.00	16.00	37.80
CKTC-301M-106	300.00	2.00	0.142	31.50	15.50	37.80
CKTC-851M-106	850.00	2.00	0.211	32.50	16.50	41.80
CKTC-750M-130	75.00	10.0	0.014	42.00	19.50	64.00
CKTC-131M-130	130.00	7.00	0.031	41.00	18.00	58.00
CKTC-201M-130	200.00	5.00	0.056	39.00	17.00	55.60
CKTC-251M-130	250.00	10.0	0.027	42.50	21.50	82.00
CKTC-471M-130	470.00	7.00	0.064	40.50	19.50	72.00
CKTC-681M-130	680.00	5.00	0.105	39.00	18.50	65.20

△ Special inquiries besides the above common used types can be met on your requirement.
超出以上規格的特殊要求也可滿足

Coils & Inductors



SPECIFICATION TABLE:

PART NUMBER 品名	INDUCTANCE (μ H) 1KHz/0A 電感值	IDC(max) (A) 額定電流	DCR(max) (Ω) 直流電阻	DIMENSION(mm) (尺寸)		WEIGHT (g/pcs) 重量
				A	B	
CKTC-231M-68	230.00	2.00	0.108	22.50	9.500	9.800
CKTC-500M-80	50.00	5.00	0.022	26.50	12.00	14.20
CKTC-600M-80	60.00	4.00	0.030	26.50	11.50	13.70
CKTC-750M-80	75.00	3.00	0.039	25.50	11.00	13.00
CKTC-820M-80	82.00	3.00	0.042	24.50	10.50	13.00
CKTC-101M-80	100.00	5.00	0.033	26.50	12.50	6.80
CKTC-151M-80	150.00	5.00	0.042	27.00	13.50	18.00
CKTC-221M-80	220.00	4.00	0.059	26.50	13.00	17.90
CKTC-271M-80	270.00	3.00	0.081	26.00	12.00	16.60
CKTC-321M-80	320.00	2.00	0.131	25.00	10.50	14.00
CKTC-431M-80	430.00	2.00	0.150	25.00	11.00	15.00
CKTC-961M-80	960.00	1.00	0.438	25.00	11.00	13.00
CKTC-900M-90	90.00	5.00	0.034	29.50	15.50	23.60
CKTC-141M-90	140.00	3.00	0.064	28.00	14.50	22.00
CKTC-201M-90	200.00	2.00	0.114	28.00	14.00	20.80
CKTC-321M-90	320.00	5.00	0.068	29.50	17.00	29.60
CKTC-451M-90	450.00	2.00	0.174	28.00	14.00	23.00
CKTC-471M-90	470.00	1.00	0.354	26.50	13.00	19.50
CKTC-471M-90	470.00	3.00	0.188	28.50	15.50	27.00
CKTC-182M-90	1800.00	1.00	0.680	27.50	14.00	22.40
CKTC-820M-94	82.00	5.00	0.033	31.00	15.50	22.40
CKTC-101M-94	100.00	4.00	0.042	29.50	13.50	21.90
CKTC-131M-94	130.00	3.00	0.061	29.00	13.00	21.60
CKTC-221M-94	220.00	2.00	0.121	28.50	12.00	20.60
CKTC-301M-94	300.00	5.00	0.064	30.00	15.50	28.80
CKTC-391M-94	390.00	4.00	0.088	29.50	15.00	27.20
CKTC-471M-94	470.00	1.00	0.342	27.50	11.50	19.00
CKTC-501M-94	500.00	3.00	0.124	29.00	14.00	26.00
CKTC-781M-94	780.00	2.00	0.225	28.50	13.50	24.10
CKTC-132M-94	1300.00	1.00	0.585	28.50	12.50	21.20
CKTC-300M-106	30.00	10.0	0.009	36.00	19.50	42.00
CKTC-350M-106	35.00	10.0	0.010	36.00	19.50	43.00
CKTC-560M-106	56.00	7.00	0.020	34.00	18.00	40.00
CKTC-680M-106	68.00	7.00	0.021	34.00	18.00	40.00
CKTC-820M-106	82.00	7.00	0.023	34.00	18.00	41.00
CKTC-101M-106	100.00	5.00	0.036	33.50	17.00	39.00
CKTC-151M-106	150.00	4.00	0.053	32.50	16.50	38.40
CKTC-201M-106	200.00	3.00	0.078	32.00	16.00	37.80
CKTC-301M-106	300.00	2.00	0.142	31.50	15.50	37.80
CKTC-851M-106	850.00	2.00	0.211	32.50	16.50	41.80
CKTC-750M-130	75.00	10.0	0.014	42.00	19.50	64.00
CKTC-131M-130	130.00	7.00	0.031	41.00	18.00	58.00
CKTC-201M-130	200.00	5.00	0.056	39.00	17.00	55.60
CKTC-251M-130	250.00	10.0	0.027	42.50	21.50	82.00
CKTC-471M-130	470.00	7.00	0.064	40.50	19.50	72.00
CKTC-681M-130	680.00	5.00	0.105	39.00	18.50	65.20

△ Special inquiries besides the above common used types can be met on your requirement.
超出以上規格的特殊要求也可滿足

Coils & Inductors